



Apex Sealing Inc.
 164 B Yankee Park Rd.
 Fairfax, VT 05454
 888 .730 .2739
 apexsealing.com

Application Data Sheet for Shaft Seals

As necessary, please copy, fill out, and and fax to (802) 524-7112

Product Description:

Process Media: _____
 Abrasiveness: _____
 Temperature: _____
 pH Value: _____
 % of Concentration: _____

Pressures:

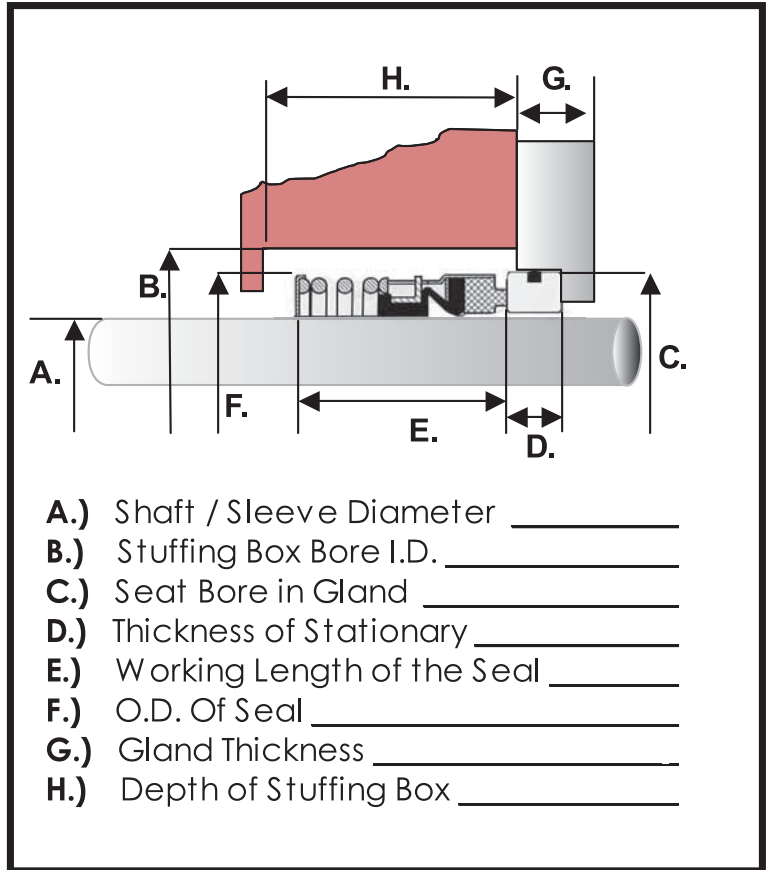
Stuffing Box Pressure: _____
 Suction Pressure: _____
 Discharge Pressure: _____

Equipment Description:

Type of Equipment: _____
 Pump Manufacturer: _____
 Model: _____
 Size: _____
 Shaft Speed: _____
 Flush Available? _____

Previous Seal Used:

Head Type: _____
 Seat Type: _____
 Seal Manufacturer: _____
 Seal Mnfr. Part #: _____
 Elastomer Used: _____
 Seal Face Combination: _____



- A.) Shaft / Sleeve Diameter _____
- B.) Stuffing Box Bore I.D. _____
- C.) Seat Bore in Gland _____
- D.) Thickness of Stationary _____
- E.) Working Length of the Seal _____
- F.) O.D. Of Seal _____
- G.) Gland Thickness _____
- H.) Depth of Stuffing Box _____

Notes / Sketch

Apex Sealing Inc., 164B Yankee Park Rd.
 Fairfax, VT, 05454
 toll free 888.730.2739, phone 802.524.7100, fax 802.524.7112,
 email sales@apexsealing.com, web www.apexsealing.com